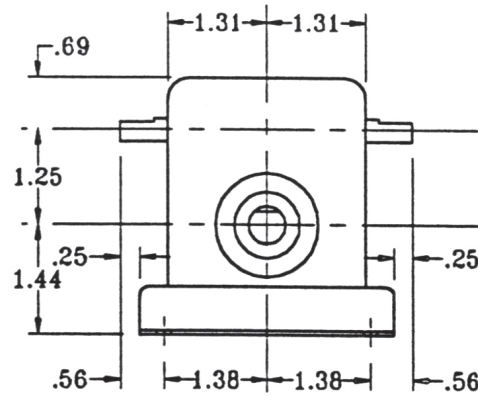
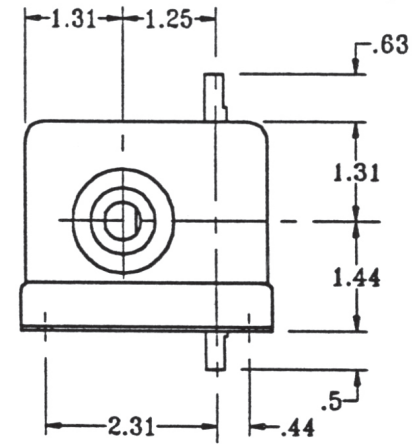


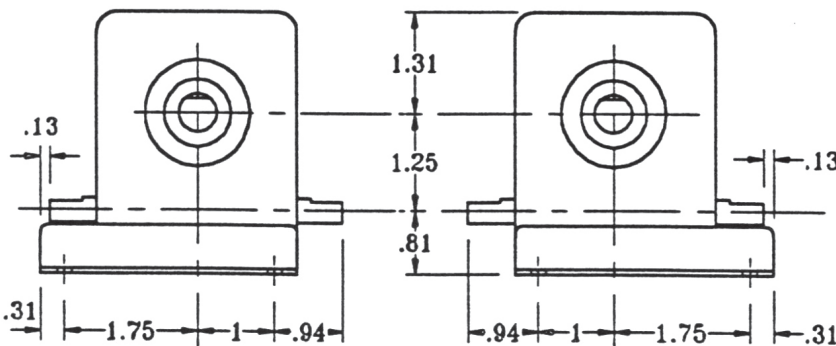
②



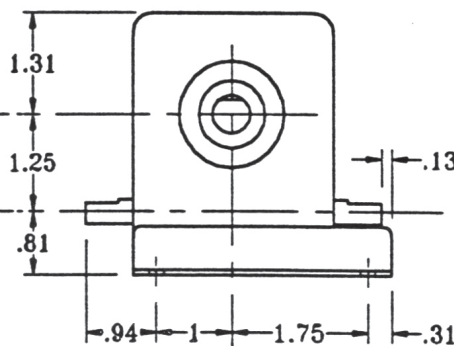
③



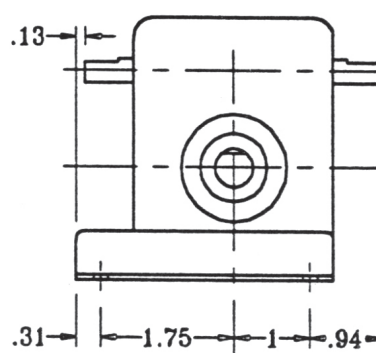
④



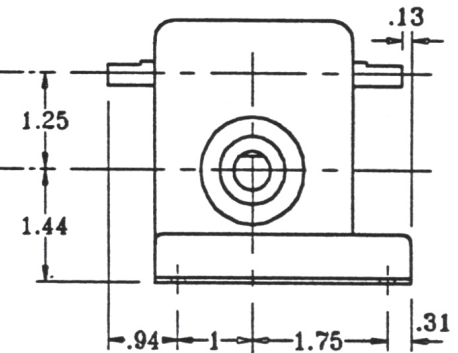
⑤



⑥



⑦



⑧



WORM GEAR SPEED REDUCERS SW-1 ADDITIONAL MOUNTING POSITIONS

Phone: 440-352-8995 • Email: sales@torquetrans.com

Torquetrans.com